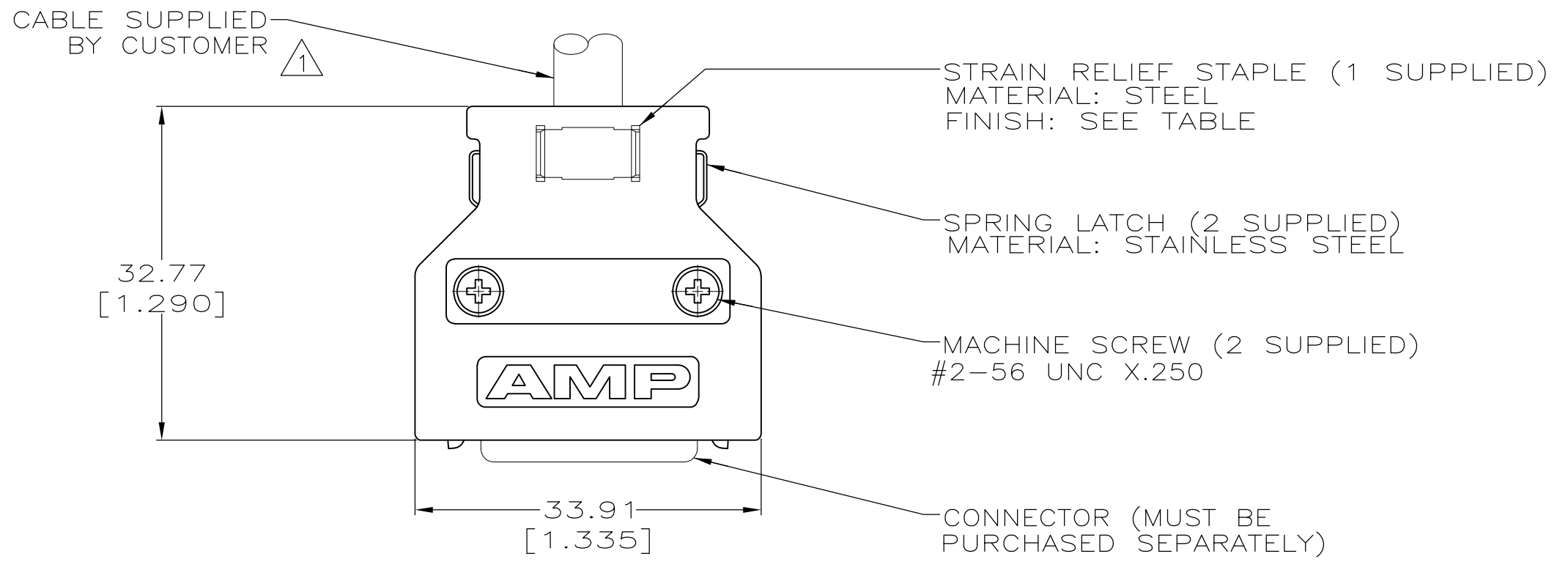
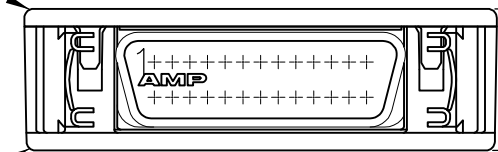


LOC	DIST	REVISIONS					
GP	00	P	LTR	DESCRIPTION	DATE	DWN	APVD
		A1		REVISED PER ECO-11-004835	11MAR11	RK	HMR



UPPER BACKSHELL (1 SUPPLIED)
 MATERIAL: ZINC
 PLATING: NICKEL OVER COPPER



10.16
 [.400]

LOWER BACKSHELL (1 SUPPLIED)
 MATERIAL: ZINC
 PLATING: NICKEL OVER COPPER

④	749608-2
③	749608-1
STAPLE FINISH	PART NO

- ① .270 MAX CABLE DIA
- 2. DIMENSIONS IN BRACKETS ARE IN INCHES.
- ③ BRIGHT TIN-LEAD OVER NICKEL.
- ④ BRIGHT TIN OVER NICKEL.



THIS DRAWING IS A CONTROLLED DOCUMENT.		DWN	M.MCCAFFREY	05/08/89	TE Connectivity NAME INDIVIDUAL KIT, 26 POSITION, REDUCED WIDTH, STRAIGHT EXIT, UNKEYED, AMPLIMITE .050 Series	SIZE	CAGE CODE	DRAWING NO	RESTRICTED TO
DIMENSIONS: mm[INCHES]		CHK	M.E.SHIRK	05/11/89		A3	00779	C-749608	-
TOLERANCES UNLESS OTHERWISE SPECIFIED:		APVD	J.BROSCHARD	05/23/89					
0 PLC ± - 1 PLC ± - 2 PLC ± - 3 PLC ± 0.38 [.015] 4 PLC ± - ANGLES ± -		PRODUCT SPEC	-			SCALE	SHEET	REV	
MATERIAL	FINISH	WEIGHT		CUSTOMER DRAWING		2:1	1 of 1	A1	